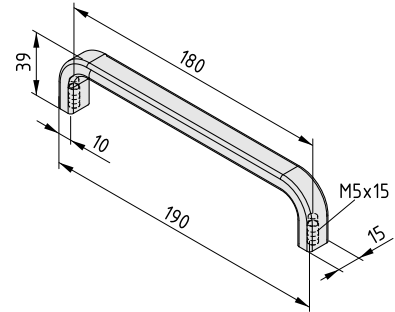




Article number: 0.0.026.44  
 Article: Handle, light duty, natural



The above-mentioned product's suitability for use in ESD-protected areas (EPA) has been checked in line with the specifications of IEC/DIN EN 61340-5-1:2024 and it meets the relevant requirements.

Typical resistance values at the relevant ambient temperature (measurement voltage: 100 V=)

Measurements <sup>1</sup>	Standard limit values	Test limit values <sup>2</sup>
Ambient temperature	23°C ± 2°C	23°C ± 2°C
Leakage resistance	< 1x10 <sup>9</sup> Ω	< 1x10 <sup>9</sup> Ω
Surface resistance	< 1x10 <sup>9</sup> Ω	< 1x10 <sup>9</sup> Ω
Volume resistance	< 1x10 <sup>9</sup> Ω	< 1x10 <sup>9</sup> Ω

<sup>1</sup> Depending on the range of functions and the geometrical dimensions, some measurements may not be relevant.

<sup>2</sup> Due to the local conditions, the relative humidity during all product tests was 10 - 65 percent.

Depending on the application, the entire solution requires additional resistance if the resistance measurement falls below 1x10<sup>4</sup> Ω. NB: To ensure safe use in ESD-sensitive environments, measurements must be taken on a regular basis to check that the entire solution in which the product is being used complies with the relevant values (to IEC/DIN EN 61340).

Solingen, 23.09.25

**item** Industrietechnik GmbH  
 Friedenstr. 107-109 42699 Solingen  
 Postfach 12 01 64 42676 Solingen  
 Tel. 0212/6580-300