

Table Clamp 8 80x40

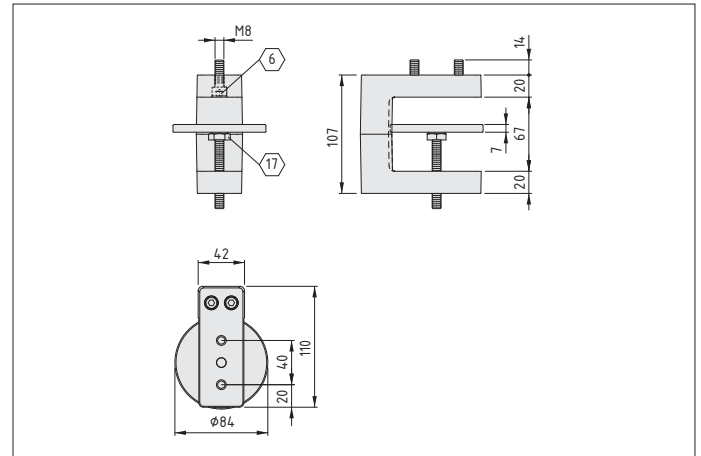
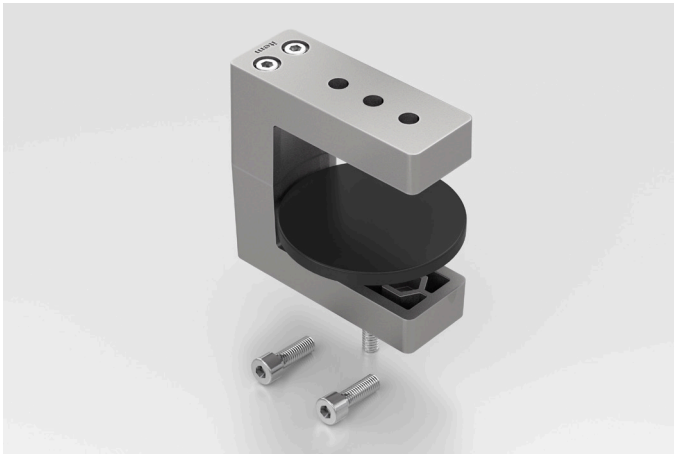


Table Clamp 8 80x40 from item is a machining-free fixing used to fasten Profiles 8 80x40 to a work bench or workstation. The table upright it thus creates provides an opportunity to use ergonomic item work bench components on pre-existing workstations.

Scope of Delivery

1 Table Clamp
Fastening materials

Technical note

[0.0.716.76](#) Please click here for further information!

Properties	
Article number	0.0.716.76
Delivery unit	1 set
Status on delivery	Preassembled
Weight	713.0 g
Torque	12 Nm

Accessoires	
0.0.026.34	Profile 8 80x40 light, natural