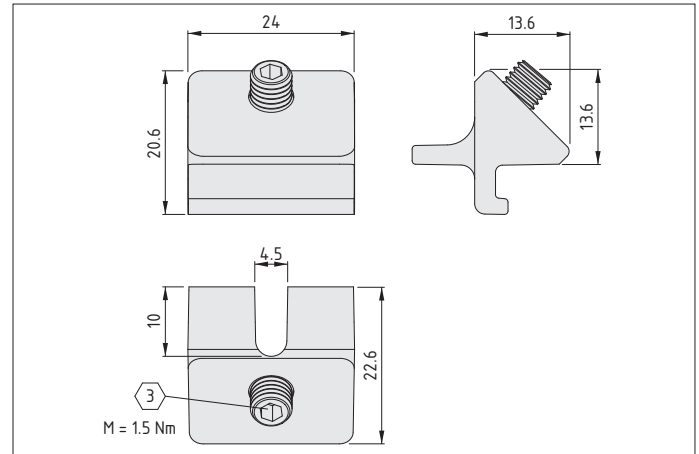
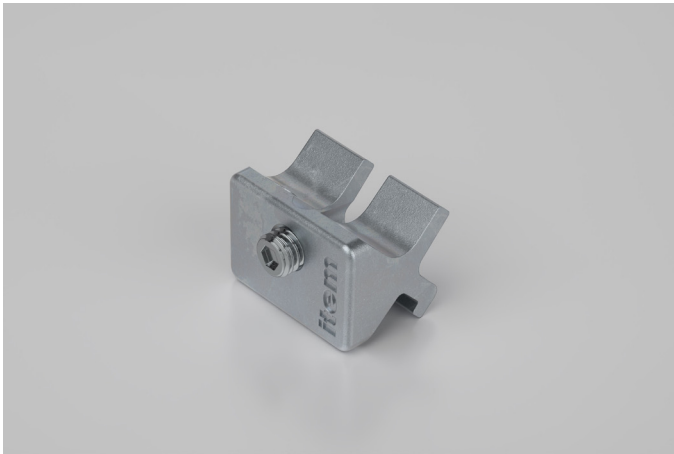


Steel Mesh Fixing Block 8 Zn



Steel Mesh Fixing Block 8 Zn fastens mesh with a wire diameter of 3.8 mm to a Line 8 groove without requiring any machining work. The mesh fixing element helps ensure enclosures and guards with a Steel Mesh infill can be built efficiently.

Scope of Delivery

1 Steel Mesh Fixing Block 8, Zn, bright zinc-plated
1 grub screw DIN 916 M6x10, St, bright zinc-plated

Technical note

[0.0.725.22](#) Please click here for further information!

Properties	
Article number	0.0.725.22
Delivery unit	1 set
Weight	25.0 g
Torque	1.5 Nm

Accessoires	
0.0.626.00	Safety Hanger 8/8
0.0.428.38	Steel Mesh 3.8mm 40x40, bright zinc-plated
0.0.724.33	Steel Mesh 3.8mm 40x40, black
0.0.721.73	Stand Foot Set 8 St 120x120/40x40
0.0.026.33	Profile 8 40x40 light, natural
0.0.026.34	Profile 8 80x40 light, natural
0.0.370.59	Key with T-Handle 3 A/F